

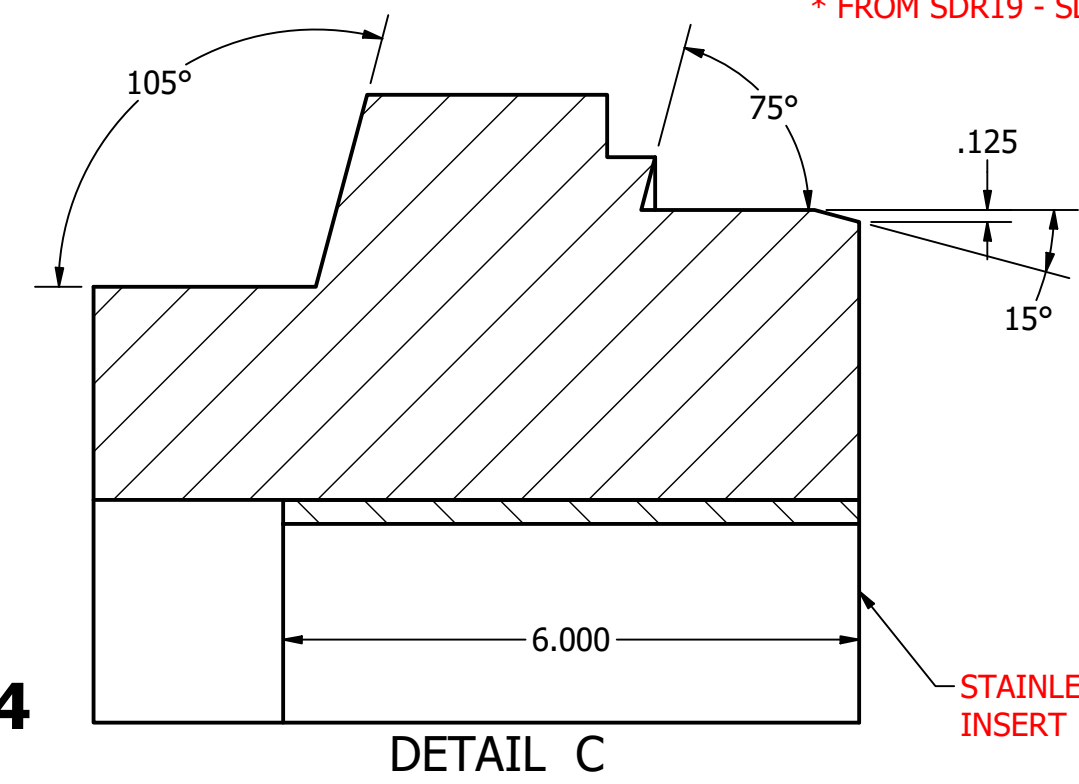
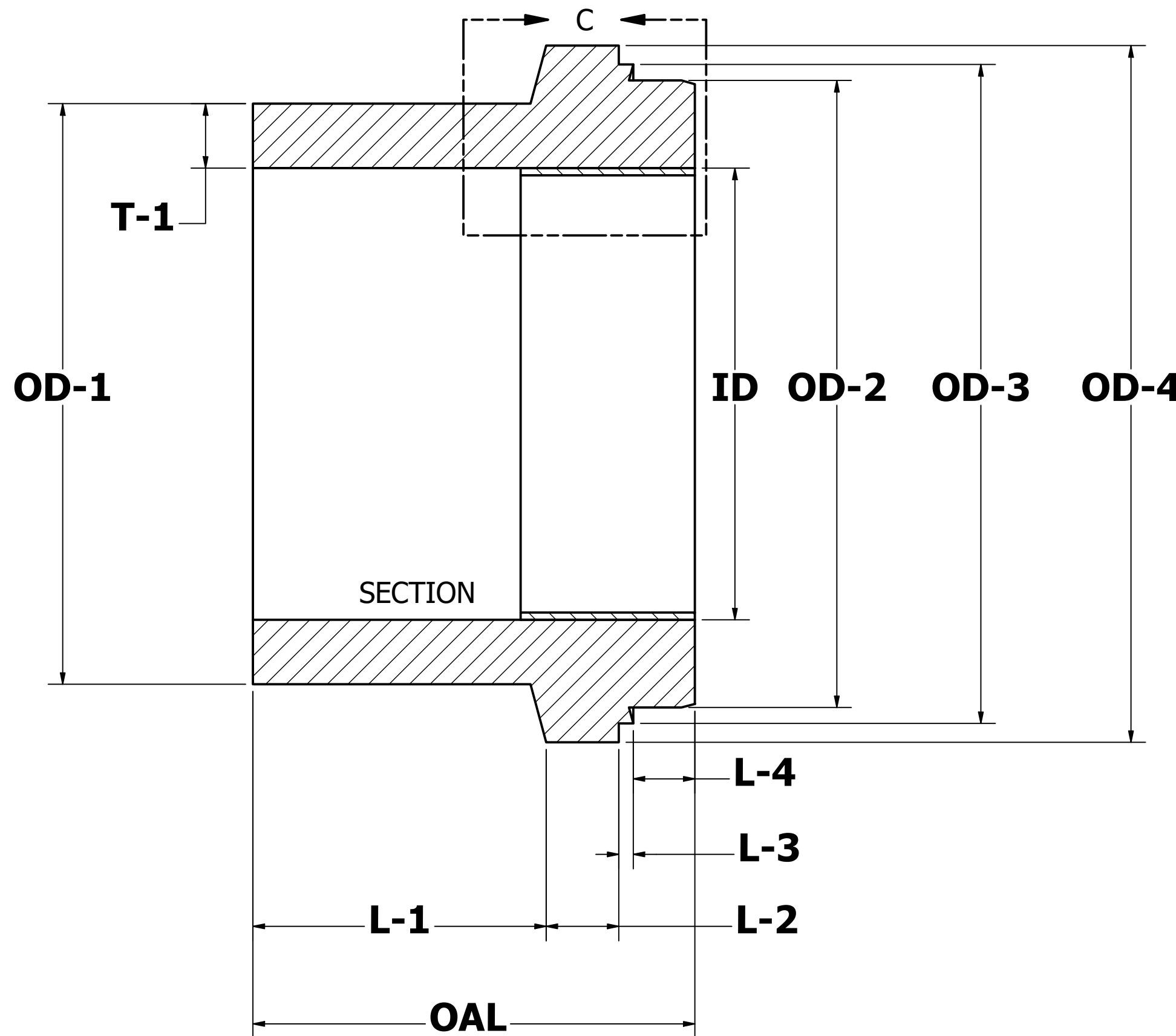
Material: HDPE - PE4710/3408/3608/PE100

REV	DESCRIPTION	DATE
1	VALID - ORIGINAL DWG	05/20/11
2	UPDATE TITLE BLOCK	9/16/2013
3	ADD OPTIONAL INSERTS	9/02/2020

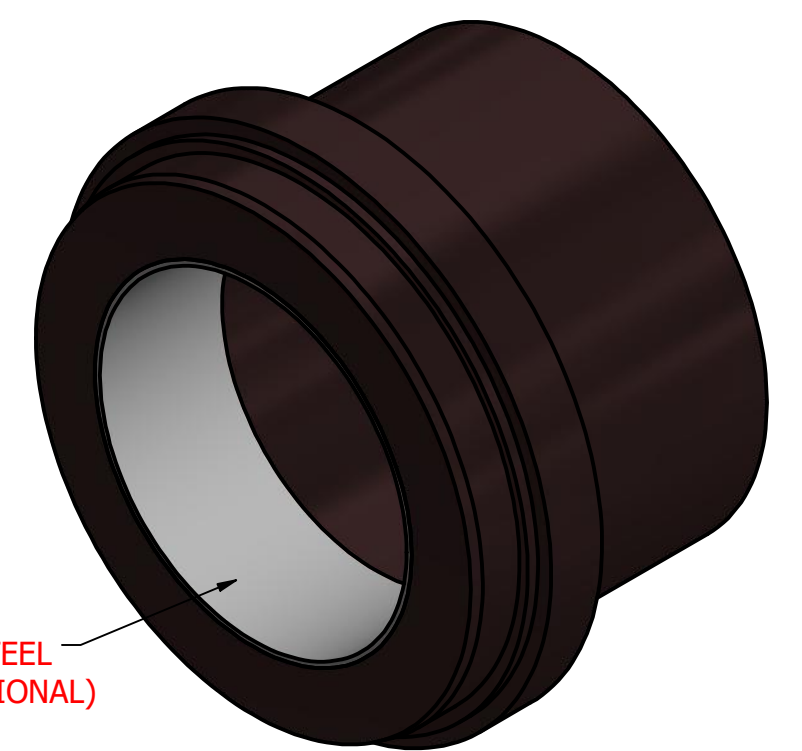
Wall Thickness (T-1) and Internal Diameter (ID)

Size	SDRs																			
	7		9		11		13.5		15.5		17		19 *		21 *		26 *		32.5 *	
	T-1	ID	T-1	ID	T-1	ID	T-1	ID	T-1	ID	T-1	ID	T-1	ID	T-1	ID	T-1	ID	T-1	ID
18	2.79	13.93	2.17	15.17	1.77	15.95	1.44	16.61	1.26	16.98	1.15	17.21	1.03	17.21	0.93	17.21	0.75	17.21	0.60	17.21
20	3.09	15.43	2.40	16.80	1.96	17.67	1.60	18.40	1.39	18.81	1.27	19.06	1.14	19.06	1.03	19.06	0.83	19.06	0.66	19.06
24	3.69	18.43	2.87	20.07	2.35	21.11	1.91	21.98	1.66	22.47	1.52	22.76	1.36	22.76	1.23	22.76	0.99	22.76	0.79	22.76
30	4.57	22.86	3.56	24.89	2.91	26.18	2.37	27.26	2.06	27.87	1.88	28.24	1.68	28.24	1.52	28.24	1.23	28.24	0.98	28.24
36			4.26	29.79	3.48	31.34	2.84	32.63	2.47	33.36	2.25	33.79	2.02	33.79	1.82	33.79	1.47	33.79	1.18	33.79
42					4.05	36.41	3.30	37.91	2.87	38.76	2.62	39.26	2.34	39.26	2.12	39.26	1.71	39.26	1.37	39.26
48					4.62	41.56	3.76	43.27	3.28	44.25	2.99	44.82	2.67	44.82	2.42	44.82	1.95	44.82	1.56	44.82

* FROM SDR19 - SDR32.5 (WILL BE TAPER BORE FROM SDR17)



STAINLESS STEEL INSERT (OPTIONAL)



Dimensions									
Size	OD-1	OD-2	OD-3	OD-4	OAL	L-1	L-2	L-3	L-4
18	19.50	19.50	20.60	22.00	15.22	10.10	2.50	0.50	2.13
20	21.60	21.60	22.70	24.00	15.22	10.10	2.50	0.50	2.13
24	25.80	25.80	26.90	28.00	15.22	10.10	2.50	0.50	2.13
30	32.00	32.00	33.29	35.01	19.00	12.50	3.00	1.00	2.50
36	38.30	38.30	39.59	41.82	19.00	12.50	3.00	1.00	2.50
42	44.50	44.50	45.79	47.50	21.00	14.50	3.00	1.00	2.50
48	50.80	50.80	52.09	54.09	21.00	14.50	3.00	1.00	2.50

Stainless steel inserts are optional and must be stated at time of quote request.
 Ongoing engineering design efforts may affect the technical information listed in our publications.

UNLESS OTHERWISE NOTED,
 ALL DIMENSIONS IN INCHES

PP IMPROVED
 PIPING PRODUCTS, INC.

TITLE
 MJ Adapter Submittal - DIPS