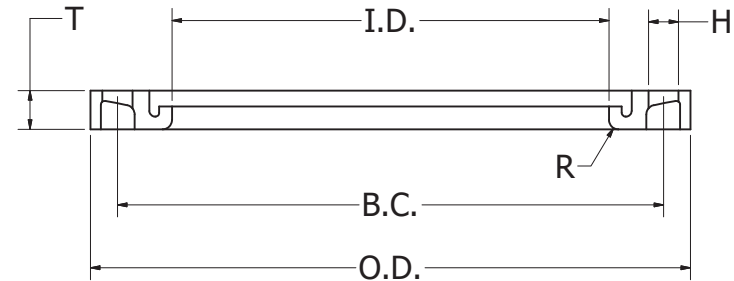
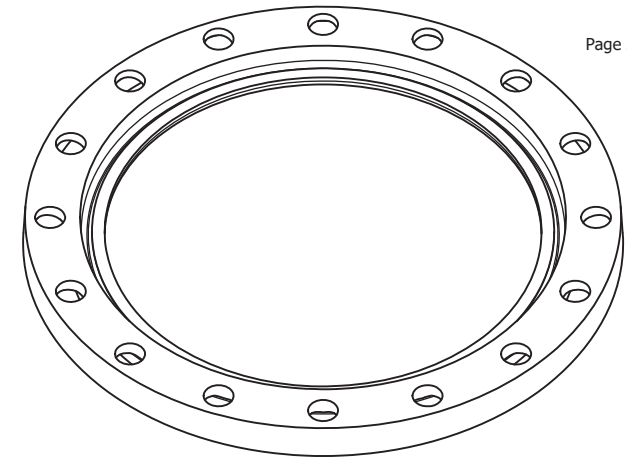


Material: Stainless Steel ASTM A351 CF8M 316SS

REVISION HISTORY			
REV	DESCRIPTION	DATE	DESIGNER
1	VALID-ORIGINAL DWG	5/5/14	JEREMY GARZA
2	Update weight	7/22/2014	Cristian Sanchez

Dimensions											
Pipe Diameter (in)	SDR	O.D.	T	I.D.	Bolt Count	Bolt Hole Size (H)	Bolt Hole Circle (BC)	R	Weight (lbs)	Pressure Class (PC)	FM APPROVED
24"	7	31.730	2.720	24.250	20	1.375	29.500	0.430	121.6	335	FM(250psi)
24"	11	32.000	2.500	24.250	20	1.375	29.500	0.430	105.6	200	N/A
24"	26	32.000	1.600	24.250	20	1.375	29.500	0.380	84.2	80	N/A
26"	11	34.250	2.500	26.380	24	1.375	31.750	0.500	123.0	200	N/A
26"	21	34.250	2.200	26.380	24	1.375	31.750	0.310	96.0	100	N/A
28"	7	36.500	4.030	28.380	28	1.375	34.000	0.310	193.0	335	N/A
28"	11	36.500	2.680	28.380	28	1.375	34.000	0.500	138.6	200	N/A
28"	21	36.500	2.300	28.380	28	1.375	34.000	0.310	109.0	100	N/A
30"	7	38.750	4.020	30.380	28	1.375	36.000	0.310	213.0	335	FM(250psi)
30"	13.5	38.750	2.750	30.380	28	1.375	36.000	0.500	174.0	160	N/A
30"	26	38.750	2.180	30.380	28	1.375	36.000	0.310	121.0	80	N/A
32"	11	41.750	3.350	32.380	28	1.625	38.500	0.320	261.1	200	N/A
32"	26	41.750	2.360	32.380	28	1.625	38.500	0.310	145.0	80	N/A
34"	11	43.750	3.250	34.380	32	1.625	40.500	0.320	303.2	200	N/A
34"	17	43.750	2.950	34.380	32	1.625	40.500	0.500	209.0	125	N/A
36"	11	46.000	3.800	36.380	32	1.625	42.750	0.510	344.2	200	N/A
36"	17	46.000	3.000	36.380	32	1.625	42.750	0.500	230.0	125	N/A
36"	32.5	46.000	2.350	36.380	32	1.625	42.750	0.310	167.0	65	N/A
40"	19	50.750	3.450	39.750	36	1.625	47.250	0.500	342.0	110	N/A
42"	11	53.000	5.510	42.380	36	1.625	49.500	0.320	602.5	200	N/A
42"	21	53.000	3.250	42.380	36	1.625	49.500	0.500	330.0	100	N/A
42"	39	53.000	2.480	42.380	36	1.625	49.500	0.310	223.0	50	N/A
48"	11	59.500	5.600	48.500	44	1.625	56.000	0.520	773.0	200	N/A
48"	26	59.500	3.500	48.500	44	1.625	56.000	0.500	405.0	80	N/A
48"	51	59.500	2.450	48.500	44	1.625	56.000	0.250	291.0	40	N/A
54"	26	66.250	3.860	54.620	44	1.880	62.750	0.500	733.3	80	N/A
54"	51	66.250	3.030	54.620	44	1.875	62.750	0.190	490.7	40	N/A
63"	21	73.000	4.100	64.020	52	1.875	69.250	0.320	600.0	100	N/A



Notes  
 Improved Piping Products' backing rings and blinds mate with AWWA C207, ANSI B16.5 and ANSI B16.47, as appropriate. Specifications not stated in these standards follow internal specifications.



TITLE  
 SS-SDR Stainless Steel convoluted Flange / Backup Ring Submittal Sheet

UNLESS OTHERWISE NOTED, ALL DIMENSIONS IN INCHES

SIZE	PART NO	SALES NO

Ongoing engineering design efforts may affect the technical information listed in our publications.