

Material: HDPE - PE4710/PE100

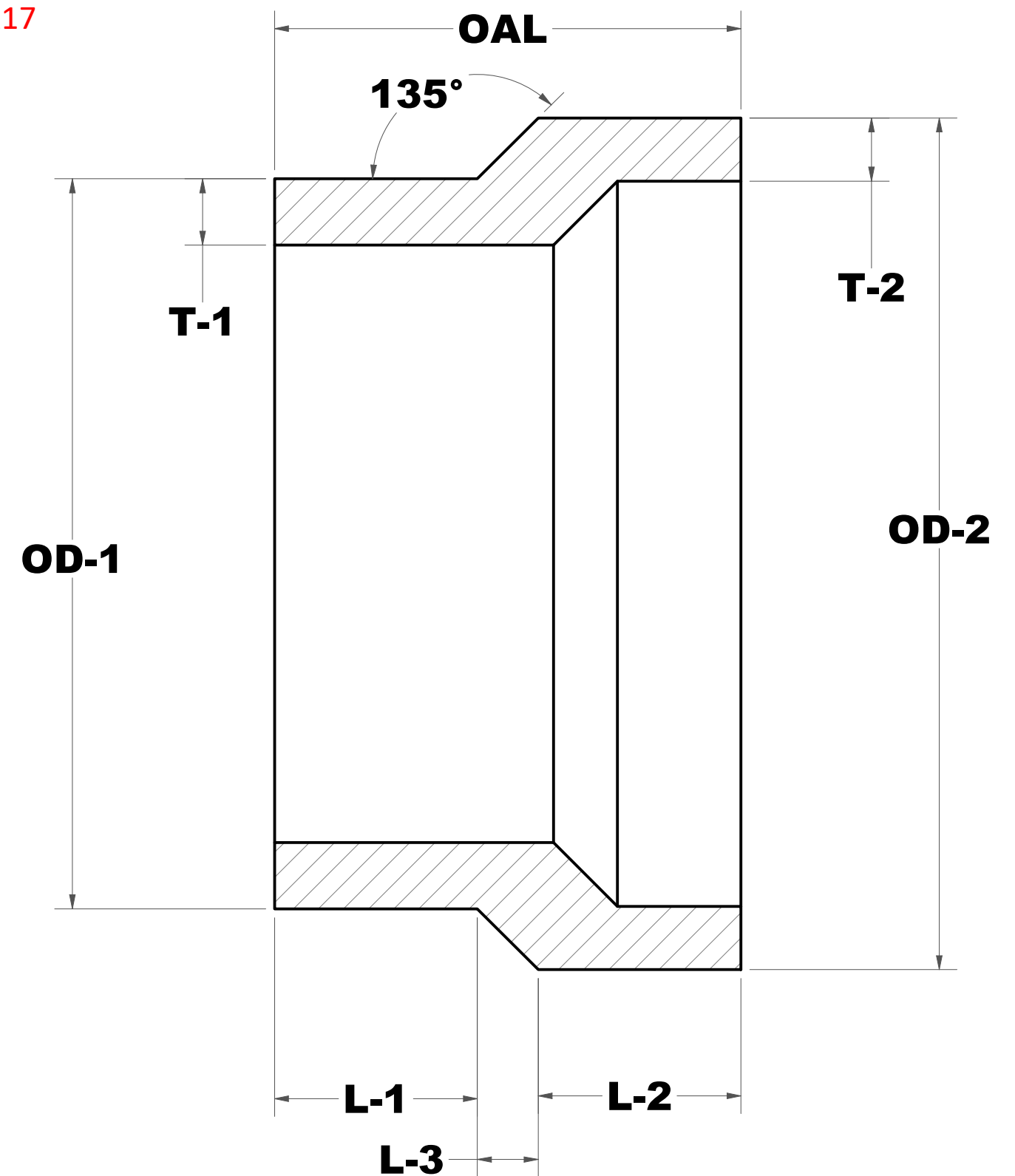
REVISION HISTORY		
REV	DESCRIPTION	DATE
1	VALID - ORIGINAL DWG	06/08/2011
2	ADD NSF NOTE	10/28/2011
3	ADD DIMENSIONAL REQUIREMENTS NOTE	08/12/2020
4	REMOVE SIZES	05/02/2023
5	REVISED SPECIFICATIONS TABLES VALUES	9/19/2023

WALL THICKNESS														
SIZE	SDR													
	11		13.5		15.5		17		21 *		26 *		32.5 *	
	T-1	T-2	T-1	T-2	T-1	T-2	T-1	T-2	T-1	T-2	T-1	T-2	T-1	T-2
26"x24"	2.182	2.364	1.778	1.926	1.548	1.677	1.412	1.529	1.143	1.238	0.923	1.000	0.738	0.800
28"x22"	2.000	2.545	1.630	2.074	1.419	1.806	1.294	1.647	1.048	1.333	0.846	1.077	0.677	0.862
28"x24"	2.182	2.545	1.778	2.074	1.548	1.806	1.412	1.647	1.143	1.333	0.923	1.077	0.738	0.862
28"x26"	2.364	2.545	1.926	2.074	1.677	1.806	1.529	1.647	1.238	1.333	1.000	1.077	0.800	0.862
30"x24"	2.182	2.727	1.778	2.222	1.548	1.935	1.412	1.765	1.143	1.429	0.923	1.154	0.738	0.923
30"x26"	2.364	2.727	1.926	2.222	1.677	1.935	1.529	1.765	1.238	1.429	1.000	1.154	0.800	0.923
30"x28"	2.545	2.727	2.074	2.222	1.806	1.935	1.647	1.765	1.333	1.429	1.077	1.154	0.862	0.923

\* From SDR21 - SDR32.5 will be taper bore from SDR17

DIMENSIONS						
SIZE	OD-1	OD-2	L-1	L-2	L-3	OAL
26"x24"	24.000	26.000	8.000	8.000	1.000	17.000
28"x22"	22.000	28.000	8.000	8.000	3.000	19.000
28"x24"	24.000	28.000	8.000	8.000	2.000	18.000
28"x26"	26.000	28.000	8.000	8.000	1.000	17.000
30"x24"	24.000	30.000	8.000	8.000	3.000	19.000
30"x26"	26.000	30.000	8.000	8.000	2.000	18.000
30"x28"	28.000	30.000	8.000	8.000	1.000	17.000

Meets Dimensional Requirements: AWWA C906 & ASTM D3261



UNLESS OTHERWISE NOTED:  
AND ALL DIMENSIONS IN INCHES

**PP IMPROVED**  
PIPING PRODUCTS, INC.

TITLE  
IPS CONCENTRIC REDUCER SUBMITTAL

SIZE C MAT'L: PE4710/PE100

Ongoing engineering design efforts may affect the technical information listed in our publications.