

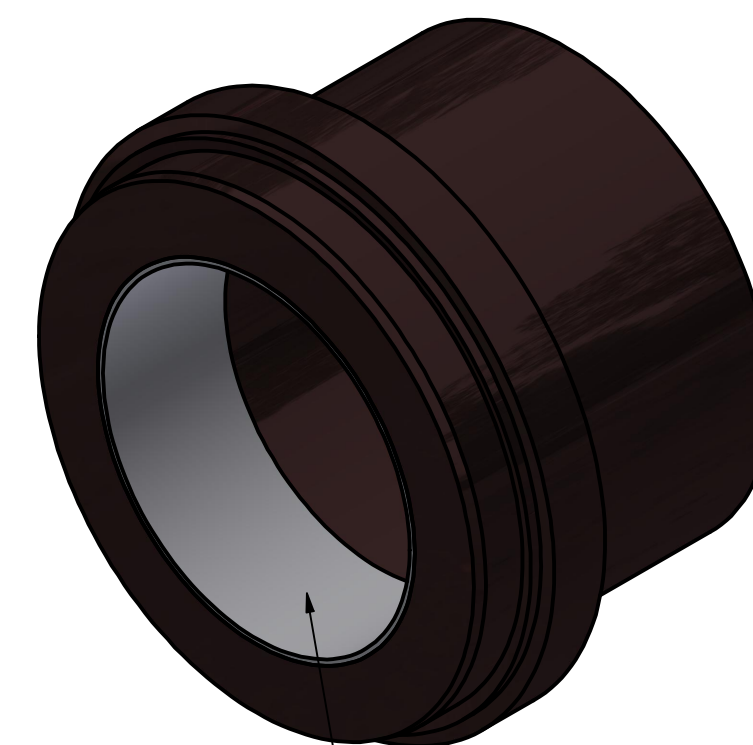
Material: HDPE - PE4710/PE100

REVISION HISTORY		
REV	DESCRIPTION	DATE
1	VALID - ORIGINAL DWG	05/20/11
2	UPDATE TITLE BLOCK	9/16/2013
3	ADD OPTIONAL INSERTS	9/02/2020
4	REVISED SPECIFICATION TABLE	9/19/2023

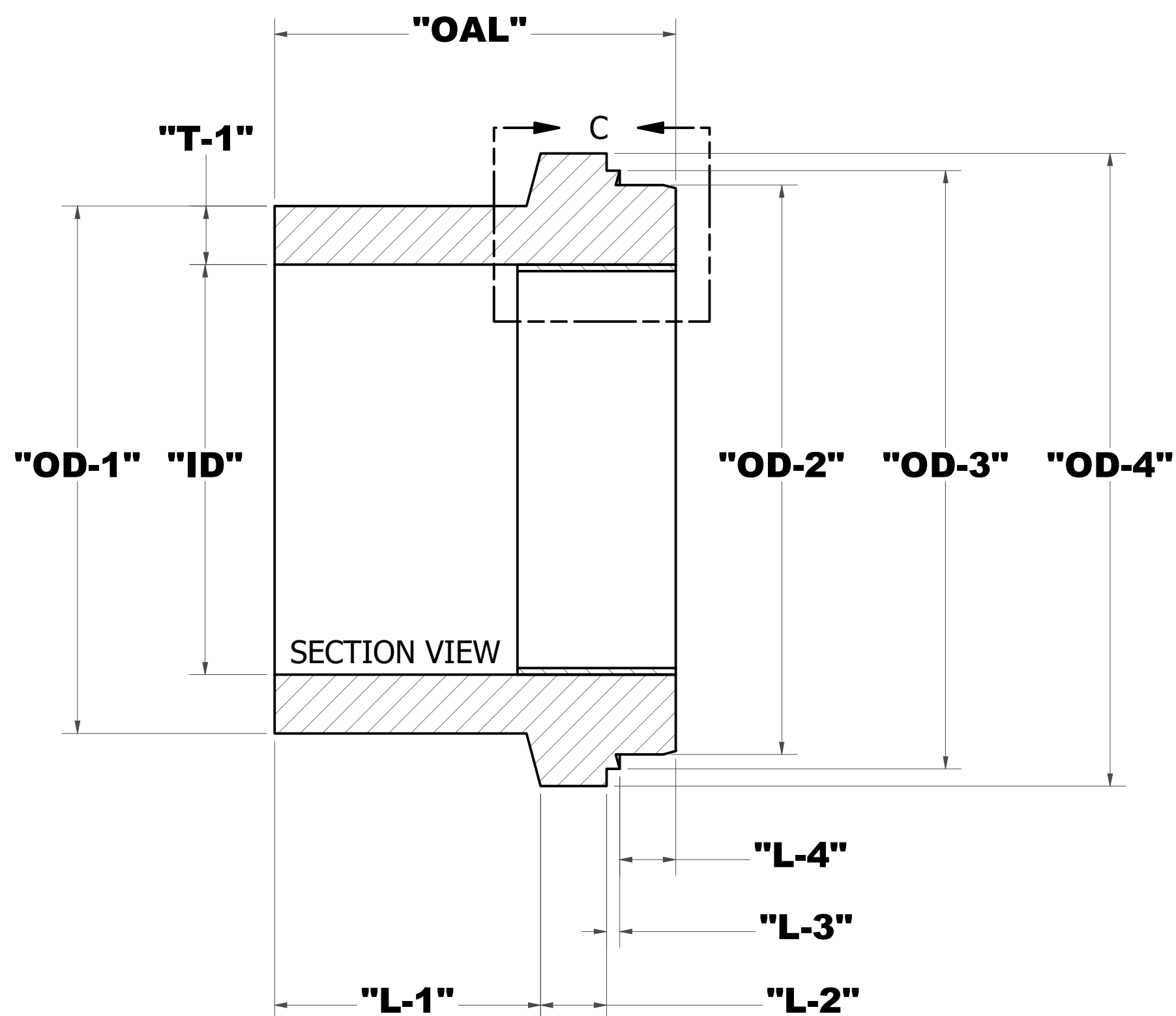
Wall Thickness (T-1) and Internal Diameter (ID)

Size	SDRs															
	9		11		13.5		15.5		17		21*		26*		32.5*	
	T-1	ID	T-1	ID	T-1	ID	T-1	ID	T-1	ID	T-1	ID	T-1	ID	T-1	ID
24"	2.867	20.067	2.345	21.109	1.911	21.978	1.665	22.471	1.518	22.765	1.229	22.765	0.992	22.765	0.794	22.765
30"	3.556	24.889	2.909	26.182	2.370	27.259	2.065	27.871	1.882	28.235	1.524	28.235	1.231	28.235	0.985	28.235
36"	4.256	29.789	3.482	31.336	2.837	32.626	2.471	33.358	2.253	33.794	1.824	33.794	1.473	33.794	1.178	33.794
42"			4.045	36.409	3.296	37.907	2.871	38.758	2.618	39.265	2.119	39.265	1.712	39.265	1.369	39.265
48"			4.618	41.564	3.763	43.274	3.277	44.245	2.988	44.824	2.419	44.824	1.954	44.824	1.563	44.824

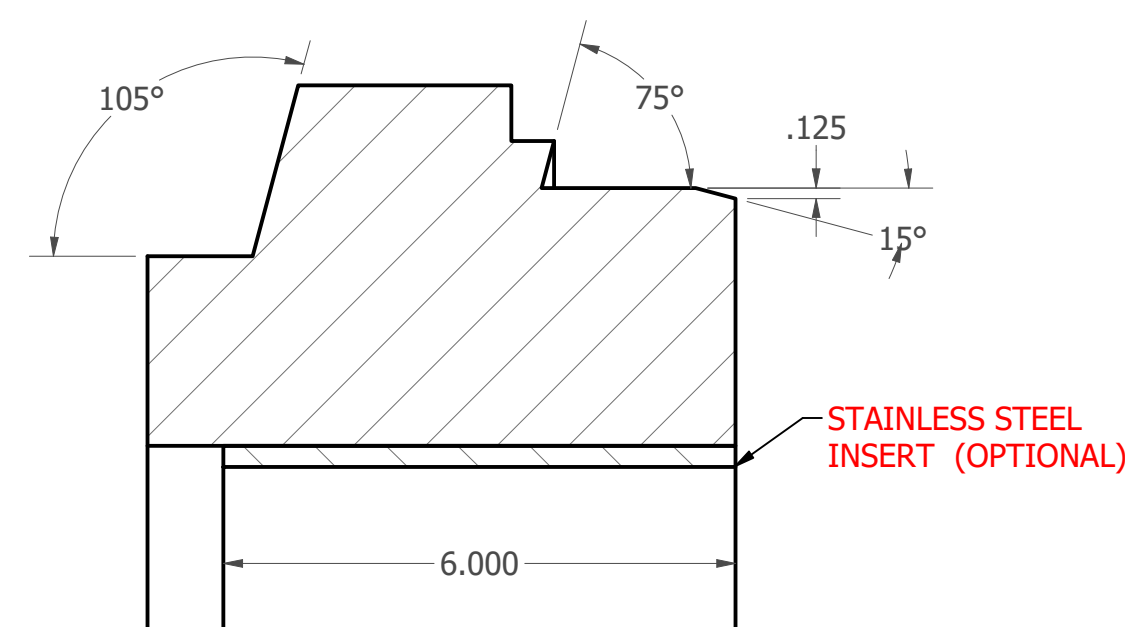
* FROM SDR21 - SDR32.5 (WILL BE TAPER BORE FROM SDR17)



STAINLESS STEEL INSERT (OPTIONAL)



Dimensions									
Size	OD-1	OD-2	OD-3	OD-4	OAL	L-1	L-2	L-3	L-4
24"	25.800	25.800	26.900	28.000	15.220	10.095	2.500	0.500	2.125
30"	32.00	32.00	33.29	35.01	19.00	12.50	3.000	1.000	2.50
36"	38.300	38.300	39.590	41.820	19.000	12.500	3.000	1.000	2.500
42"	44.50	44.50	45.79	47.50	21.00	14.50	3.000	1.000	2.50
48"	50.800	50.800	52.090	54.090	21.000	14.500	3.000	1.000	2.500



DETAIL C

Stainless steel inserts are optional and must be stated at time of quote request.
 Ongoing engineering design efforts may affect the technical information listed in our publications.

UNLESS OTHERWISE NOTED,
 ALL DIMENSIONS IN INCHES



TITLE
 MJ Adapter Submittal - DIPS